

Mixed Acid Recovery Systems

Vacuum Evaporation for HF + HCl Recovery

Sustainable Solutions for Industry



Beta's Mixed Acid recovery process combines the best in environmental technology with the best return on investment. We provide sustainable solutions to meet both environmental & financial goals.

We design our systems with unique features such as automatic cleaning, efficiency monitoring, and modular maintenance. Our experience is reflected in our unsurpassed operating software which is customized for every installation.

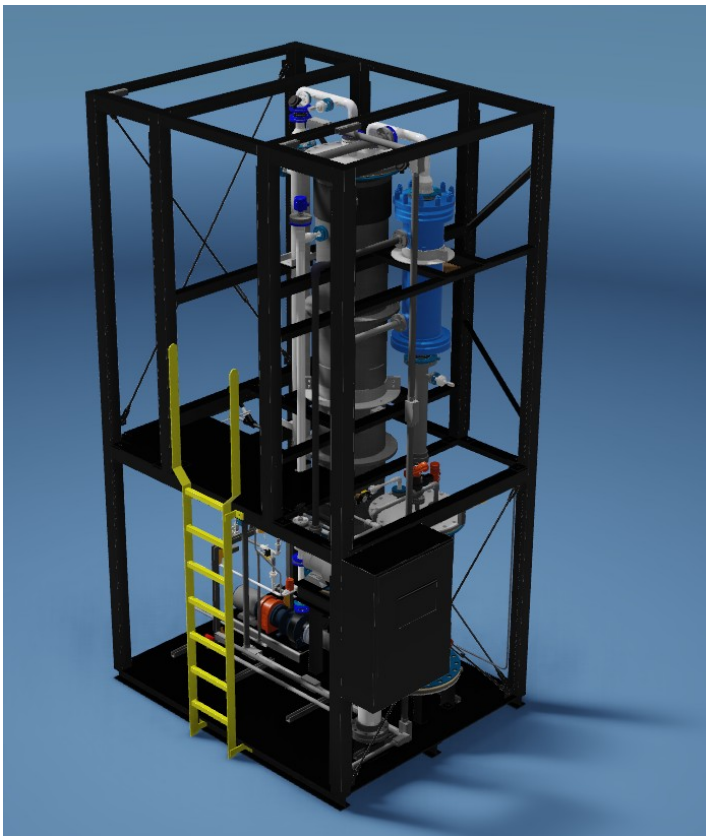
Overview

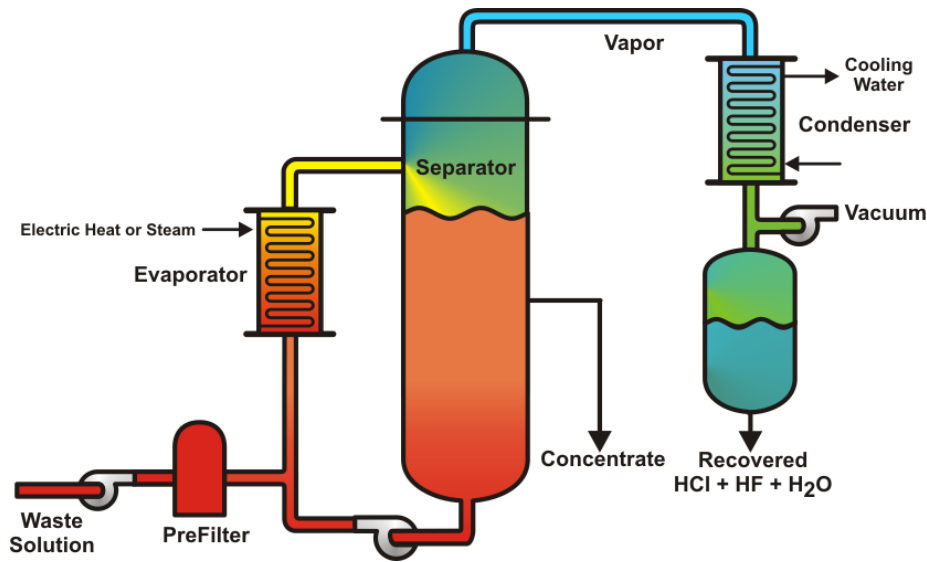
Beta uses vacuum evaporation to filter contaminants and to concentrate mixed acids for reuse. Our HF + HCl recovery system works continuously to maintain your acid at its optimum concentration and purity.

- Reduces acid consumption, quick return on investment
- Unique heat exchange reduces energy required
- Compact design integrates into existing facilities
- High quality components & automation minimize downtime



Pictured: (upper right) Smallest system, (lower left) Model 2MT, (lower right) Model 5MT - 20MT





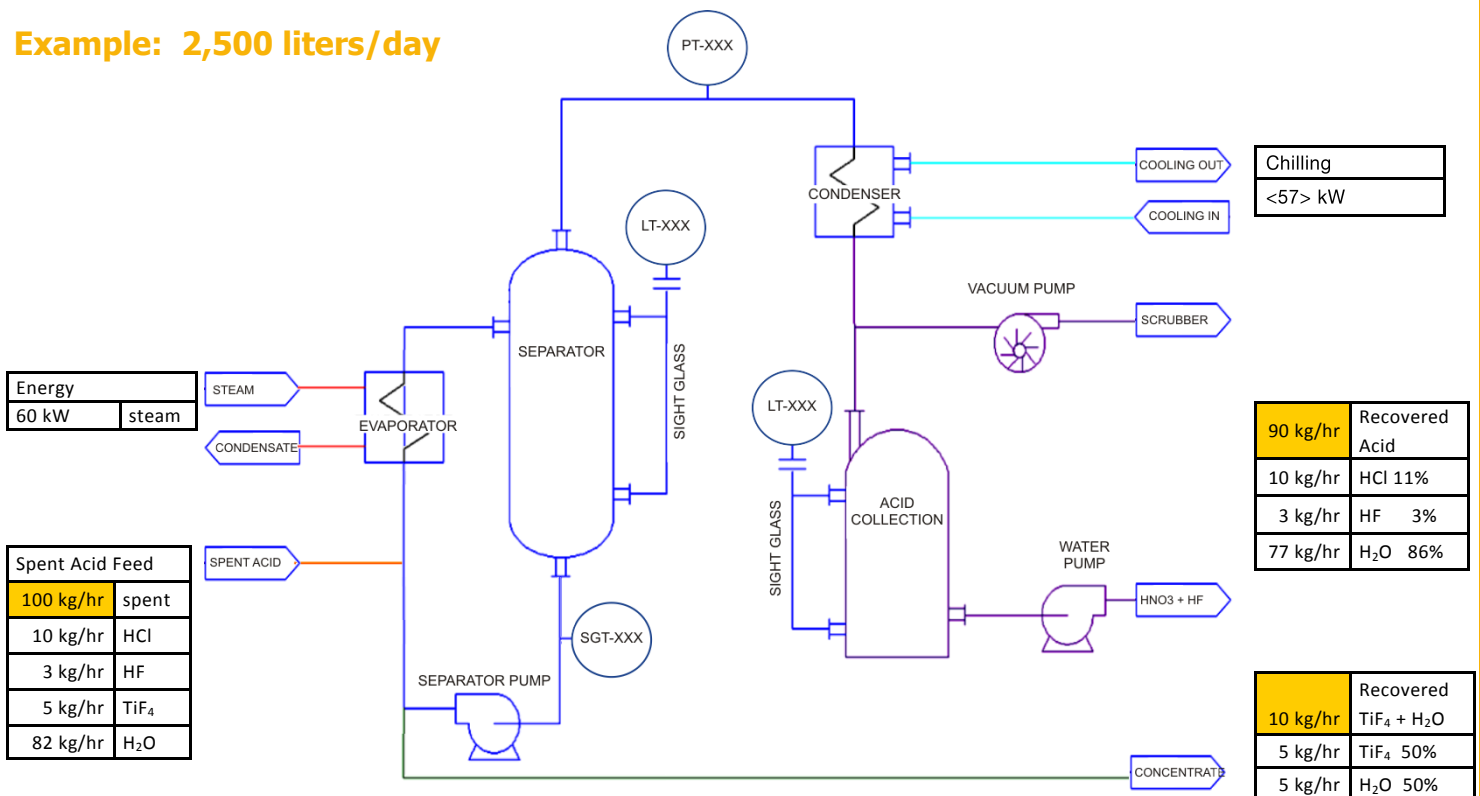
Operation

A pump forces the waste acid through a pre-filter and into the evaporator loop, comprised of the Evaporator exchanger and the Separator tank. In the evaporator loop, the HF, HCl, and water vaporize as they travel through the heat exchanger and are released into the liquid/vapor Separator. The remaining metal salt solution (metals + H₂O) continues to circulate through this pressurized boiling loop until it reaches a controlled concentration and is withdrawn to a storage tank.

Under a controlled vacuum, the acids (HF and HCl) and water vapors are drawn from the Separator and into the Condenser. The acids and water vapors, devoid of metal salts, are condensed back into liquid form and recovered into a special thermoplastic vacuum tank. The recovered acids, now more concentrated than the original spent solution fed into the system, are pumped back to the process for reuse.

The system has no exposed metal parts and is designed to withstand a vacuum. Industrial PLC automation is used to control the process using proven software developed specifically for this application. The system requires a boiler or external heat source, cooling water, and electricity.

Example: 2,500 liters/day



Sustainable Solutions

Beta designs, manufactures, installs, and supports its own resource recovery equipment. We provide cost effective, robustly engineered systems that recover your assets and attain your company's environmental and financial goals

U.S.A. (headquarters)
6950 SW 111th Ave, Beaverton, OR 97008
(503) 646-3399, contact@betacontrol.com

BRAZIL, Beta Systems Brazil
Mr. Rodrigo Frigo, Ph: 55-(44) 3028-3335
rodrigof@betacontrol.com

CHINA, Beta Systems China
Ms. Smile Lee, Phone: 86-411-859-12755
smile.lee@westechchina.com

INDIA, Leak-Proof Steel Plant Equipment
Mr. Arvind Joshi, Phone: 91 22 2636 1737
AGJ@edrgroup.in

MALAYSIA, East West Wire Technologies
Mr. Lim Tee Hooi, Phone: 603-5162 3846
eastwestwire@yahoo.com.my

MEXICO, Tecmex
Ing. Daniel Pietra Santa
+52 (55) 1107-7582, ventas@yasitek.com

REPUBLIC OF S. AFRICA, VJL Technologies
Ms. M. VanRensburg, 27(0)12 345 2215
marindaj@vjl.co.za

TAIWAN, Yongsun Corporation
Mr. Frank Shy, Phone: 886-2-2881-7288
frankshy@ms24.hinet.net

TURKEY, ANI Zinc Oxide & Metal Ltd.
Mr. Isik Sapci, Phone: 90 312 2875510
isik@animetal.com.tr

UNITED KINGDOM, Chem Resist Groupe
44-1924-499466, enquiry@chemresist.com

